

LOW-PRO

MODEL#: RGSFC3312

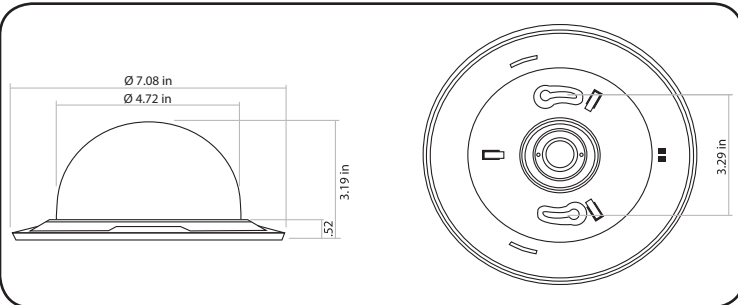
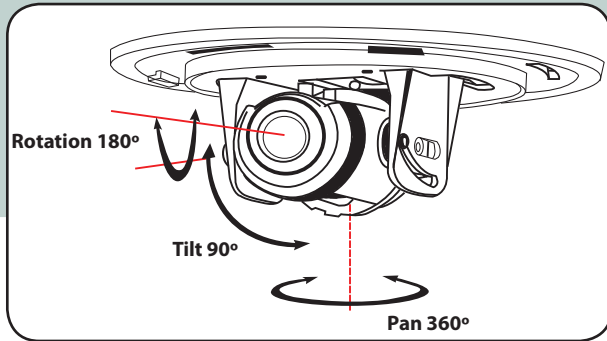
Key Features

- 1/3" Super Sensitive Color CCD sensor
- High resolution of 520 TVL Color at Day & 560 TVL B/W at night
- True Day & Night (Lens Filter Change)
- Remarkable low Lux performance of 0.3 Lux at F2.0 fixed lens
- Auto Iris Lens control
- 12VDC/24VAC Dual power (Non-polarity)
- On Screen Display (OSD)
- Excellent Auto White Balance (AWB / ATW / FIXED / MANUAL)
- Privacy Masking
- Reverse Polarity Input protection circuit built-in



OSD Function

- Camera ID
- True Day & Night : (Auto / Color / BW)
- Motion Detection (64 motion areas selection: sensitivity / Trace ADJ)
- Privacy : 4 Zones (64 motion areas selection)
- Gamma : 0.5 ~ 1.0 or User
- Language : English / Korean / Chinese1.2 / Japanese
- Shutter : Auto / FLK / Manual (000~255) / Fixed (1/60~1/100,000)
- AGC : OFF/ON (000-255)
- Adjust (Contrast/Sharpness/CB_Gain/CR_Gain)
- Mirror: ON / OFF



The Low PRO is a new high resolution Color Dome Camera developed in 2008 with a new DSP chip and OSD.

The built-in image conversion from Color to B/W at 5 Lux, greatly enhances the sensitivity and picture quality. IR Sensitive mechanical Day/Night cut filter is built-in as well.

This camera has a DC Lens connection with which you can customize it for bright outdoor applications. Enjoying an extraordinary sensitive, more than 520TVL Dome camera, never came so cheap.

The Low PRO is an ultra-slim dome camera containing a lot of user-friendly features. It incorporates a perfect and tool-free 3-Axis mount with which the camera can be installed on the wall, on the ceiling or on the slope with no limitation.

Image Sensor	1/3" Super Sensitive Color CCD sensor
Horizontal Resolution	520 TV Lines (Color), 560 TV Lines (B/W)
Effective Pixels	NTSC: 768(H) x 494(V) PAL: 752(H) x 582(V)
Sync System	Internal
Scanning System	2:1 Interlaced
Video output	1Vp-p 75 ohm composite
S/N Ratio	More than 48dB
Auto Iris	DC/Manual (OSD ADJ)
Smear Effect	0.005%
Gamma Correction	User or 0.5-1.0 (OSD ADJ)
Special Function	Auto / Color / BW (OSD ADJ)
Lens	3.3-12mm Varifocal DC Iris / F1.4
Gain Control	6dB-40dB OFF/ON (000-255 OSD ADJ)
OSD Function	Camera ID, Mirror, Day and Night, Motion, Privacy, Gamma, BLC, AWB, Lens, Shutter, Adjust
White Balance	ATW / AWC Manual selectable 1,800°K - 10,500°K Auto
Power Source	DC12V / (DC9V-30V) / AC24V (AC15V-27V) Dual Power
Operating Current	DC12V : 130mA / AC24V : 90mA
Measurement	7.08" (W) x 3.19" (H)
Weight (approx)	.88 lbs